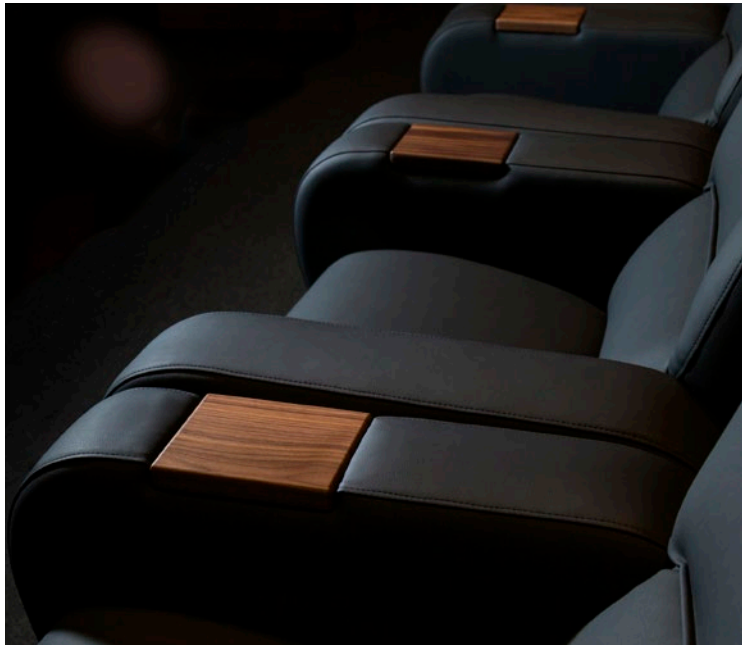


SILVER RECLINER



INFINITY
SEATING SOLUTIONS

Call: +44 (0)1702 614444

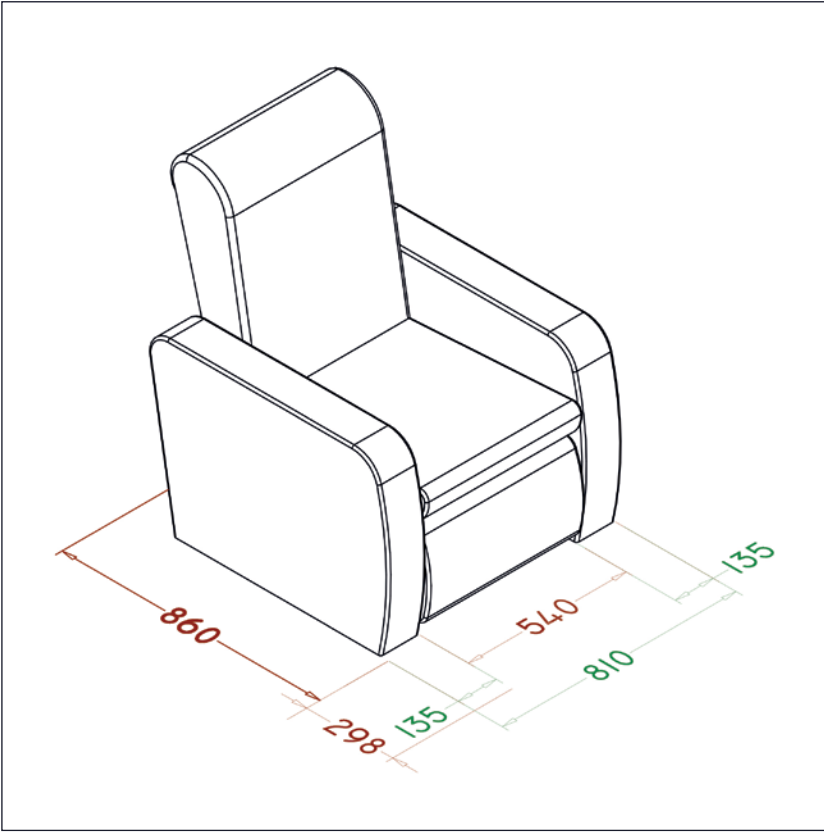
Email: enquiries@infinityseating.co.uk

Web: www.infinityseating.co.uk

CONTENTS

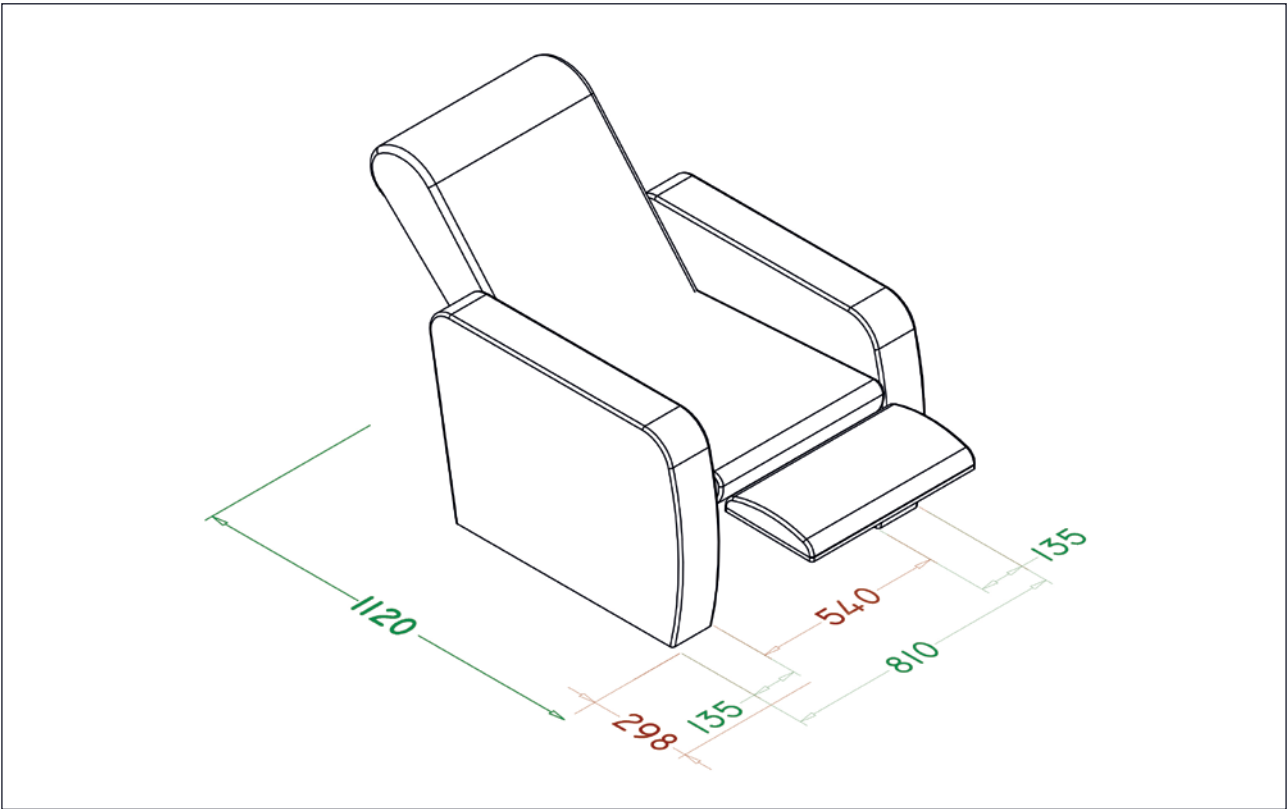

PRODUCT DIMENSIONS	3
ASSEMBLY & INSTALLATION	4
ELECTRICAL DATA	6
INTERNAL BUILD DETAILS	7
WOOD & METAL COMPONENT CARE	8
FABRIC CARE	9
TESTS	10
ACCREDITATIONS & MEMBERSHIPS	11
WARRANTY & INSURANCE	12
ENVIRONMENTAL CREDENTIALS	14
SERVICE PACKAGES	16

PRODUCT DIMENSIONS

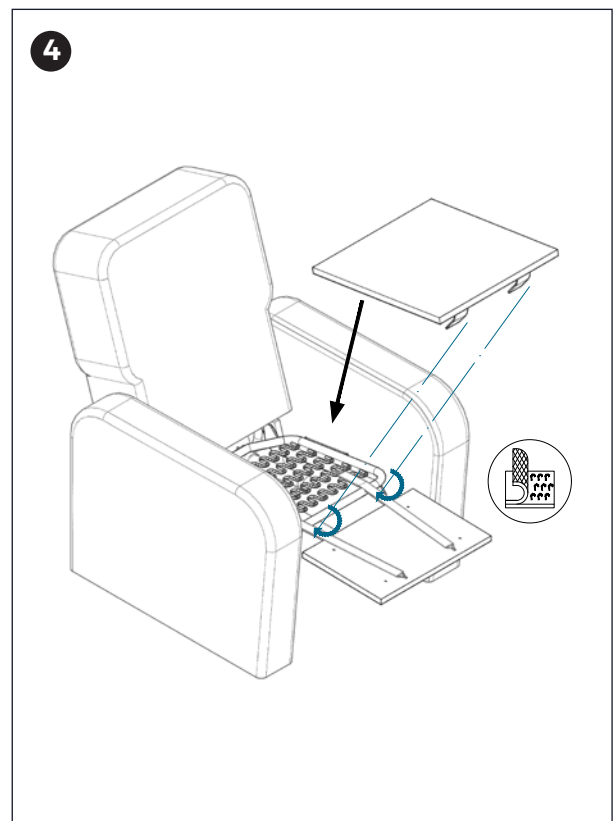
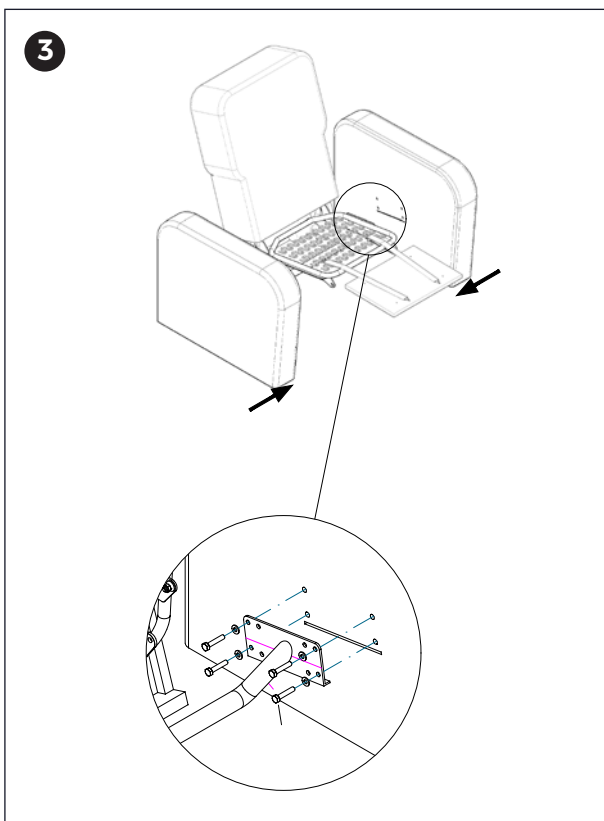
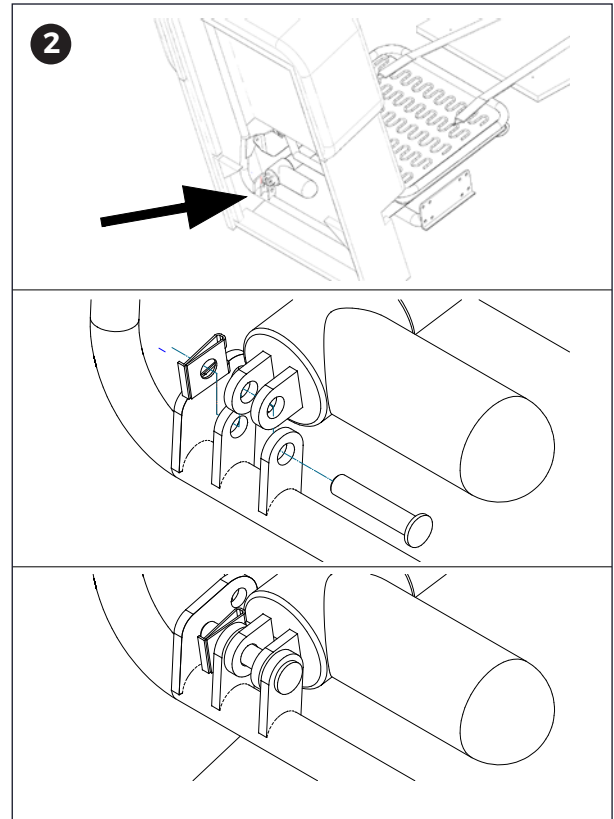
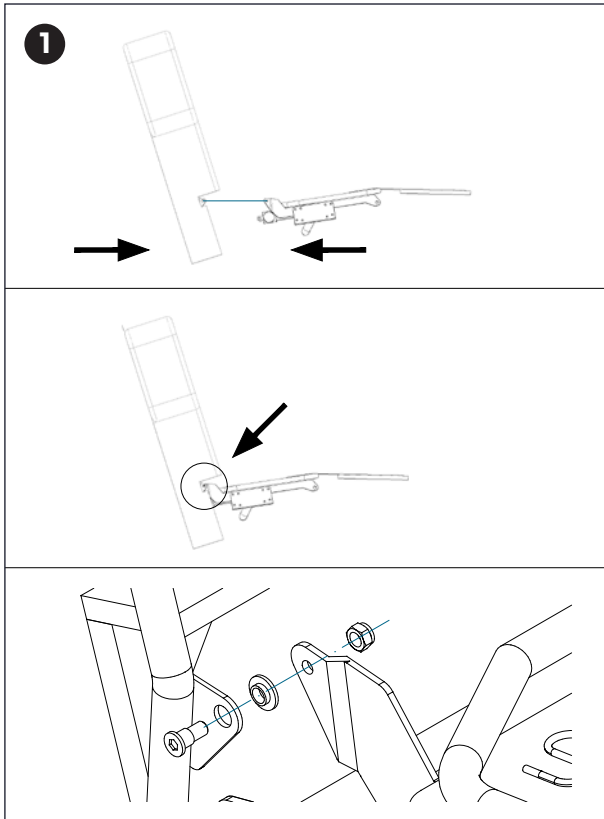


CUSTOMISABLE DIMENSIONS

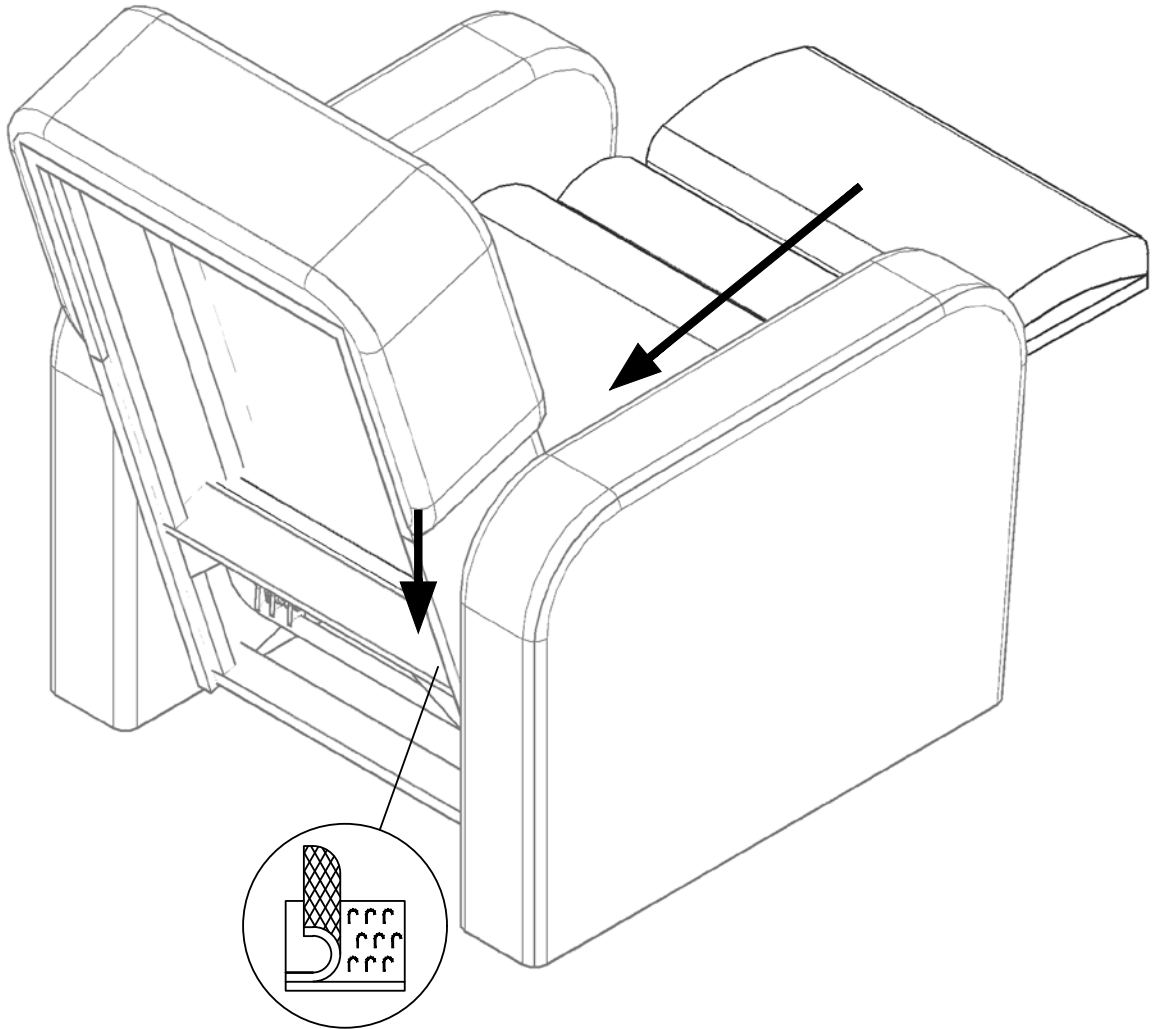
All green dimensions are customisable and all red dimensions are fixed.



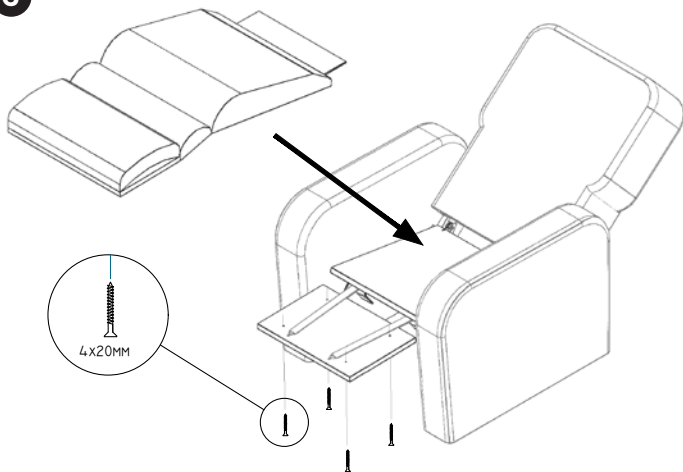
ASSEMBLY & INSTALLATION



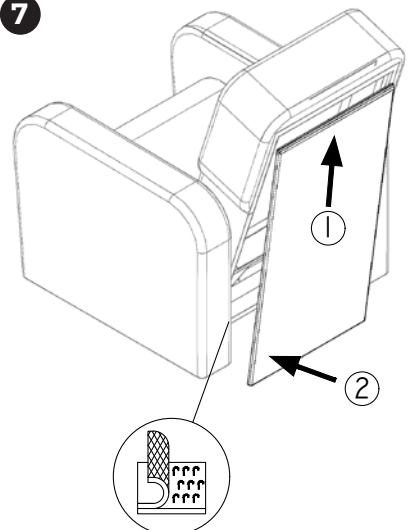
5



6



7



ELECTRICAL DATA

The mechanism is a two-motor system, one motor to control the footrest and partial back recline, and one to control full back recline.

Each Mechanism has a control computer that measures resistance for safety, controls the auto reset and supplies power to both motors. This unit is powered by a 29v 2A supply Via a 2.1mm 29v Rongchun Jack

The motors each have a w/16g Silicone connector which makes installation and maintenance quick and easy.

The AC/DC transformer is a Mains 100v/240v class 2 power unit and uses a plug to IEC C7 (Figure 8) cable for power. All electronic parts are CE,FC, EAC & GS marked.

Sitting ACTUATOR

Qty	DESCRIPTION	SUPPLIED SEPARATE COMPONENTS
1	ROUND TUBE PLASTIC CLIP	
2	BUSHES	
2	PIN	
3	CLIP	

MI-11 ACTUATOR	
DRAWING NAME:	MI-11-0116-262-62
MOTION CODE:	KE333MOAC3116
MOVING CODE:	MO-AC-3116-262-62
MOTOR SPEED:	3700RPM
MINIMUM MOUNTING DISTANCE:	262
MAXIMUM MOUNTING DISTANCE:	324
STROKE:	62
MOTOR SCREW STARTS:	1
PANEL SCREW STARTS:	2
SPEED (NO LOAD):	1.2 mm/sec
MAX. LOAD:	3000 N
APPLICATIONS:	FOOTREST PROJECT-8R25
DATE:	12-08-2015
DRAWN BY:	W.A.

Backrest ACTUATOR

Qty	DESCRIPTION	SUPPLIED SEPARATE COMPONENTS
1	ROUND TUBE PLASTIC CLIP	
2	BUSHES	
2	PIN	
3	CLIP	

MI-11 ACTUATOR	
DRAWING NAME:	MI-11-0117-432-57
MOTION CODE:	KE333MOAC3117
MOVING CODE:	MO-AC-3117-432-57
MOTOR SPEED:	3700 r/min
MINIMUM MOUNTING DISTANCE:	432
MAXIMUM MOUNTING DISTANCE:	489
STROKE:	57
MOTOR SCREW STARTS:	1
PANEL SCREW STARTS:	2
SPEED (NO LOAD):	1.2mm/sec
MAX. LOAD:	3000 N
APPLICATIONS:	Backrest PROJECT-8R25/2215
DATE:	12-08-2015
DRAWN BY:	W.A.

UNIVERSAL POWER SUPPLY:
Qty: 1



AC/DC Adapter

Model No: HWX-A290010-A
Input: 100-240V~, 50/60Hz
1.5A MAX

Output: DC29V 1A
Duty Cycle: Max 10%

MAX T-ON 2min
CAUTION: INDOOR USE ONLY!
NO-HJT10C



MADE IN CHINA

INTERNAL BUILD DETAILS

Made from the finest quality materials and will last for years. Built with Birch ply and solid FSC Beech hardwood frames and the best quality (CMHR) Fire Retardant foams available, See below.

FRAME

The frame is made from BB/ CB grade birch ply and solid FSC Beech hardwood, all timbers meet the European harmonised Standard BS EN 13986 Wood-based panels for use in construction.



FOAM

CMR40 and CMP39 combustion modified is used and both meet BS 5852:2006 Clause 11 - Ignition source 5 and EU: EN 1021 Part 1 & 2.

WOOD & METAL COMPONENT CARE



FINISHES ON WOOD COMPONENTS:

To clean wash with diluted solution of any mild household detergent. Wipe with a clean/damp cloth and allow drying. After drying, polish with a clean dry cloth.

CAUTION: Do not use waxes or polishes containing silicones on Metal and Plastic Surfaces.

METAL COMPONENTS:

To clean, wash with solution of any household detergent. Persistent dirt or marks can be removed with non-abrasive cleaner. Rinse thoroughly with clear water and wipe with a clean damp cloth and allow to dry.



FABRIC CARE



GENERAL CARE AND CLEANING GUIDE

Use a soft brush or vacuum cleaner (with soft brush attachment) to remove dust and solid particles. Microfibre cleaning cloths and warm water are also very effective for daily cleaning and to avoid the build up of soiling.

For regular routine cleaning use a mild detergent dissolved in warm water. Use a clean sponge or cloth and 'wipe & dry' technique.

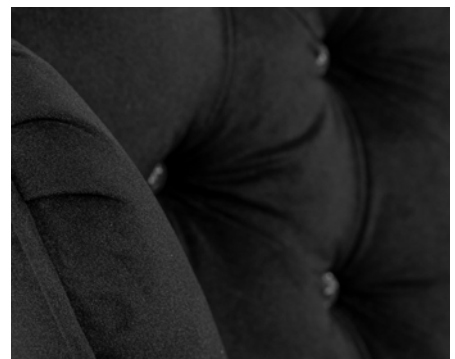
Oil and grease based stains should be treated with a spirit based solution, alcohol based cleaners can also be used following the manufacturers guide lines.

It is important that all residues from cleaning solutions are fully removed from the fabric. Full immersion or soaking of the fabric is not recommended.

Protect from excessive sunlight and avoid contact with strong heat.

Before any action we advise to check suitability of any cleaning method by applying to an area out of sight (on a quality sample). We cannot be held responsible for any damage caused by cleaning.

For the most effective stain removal spillages should be dealt with immediately using a clean absorbent cloth. Important, Please be aware that certain poorly fixed dyes (such as those used in denim jeans) may migrate on to lighter colours. Heat and humidity can also contribute to this phenomenon and it's irreversible. We are unable to accept responsibility for dye transfer caused by external contaminants.



TESTS

FOAM AND FABRIC

- BS 5852:2006 Clause 11 - Ignition source 5 - Pass

FRAME & STRUCTURAL

- BS 8474: 2013 Furniture. Chairs with electrically operated support surfaces
- BS 8474: 2013 - General requirements - Pass
- BS 8474: 2013 - Strength and durability - Pass
- BS EN 1022: 2005 - Stability - Pass
- BS EN 1022: 2005 - Durability of chair surface adjustment mechanism - Pass

TIMBER

- EN 13986:2004+A1: 2015 - Pass
- According to International Standard for Phytosanitary Measures - Pass

ACCREDITATIONS & MEMBERSHIPS

INSTITUTE OF EXPORT —

The Institute Of Export and International trade is a professional membership body offering business support, training and qualifications. As a member, we benefit from their knowledge and advice for best practice on trading globally.

ISO 9001 —

ISO 9001 is a best practice management framework used by businesses worldwide as a tool to encourage these practices and improve business performance.

FIRA —

The Furniture Industry Research Association is the UK's largest furniture research association. As a member, we benefit from industry knowledge, research and standards information.

CONSTRUCTIONLINE —

Constructionline is the UK's leading procurement and supply chain management service that collects, assesses and monitors standard company information. The aim is to provide efficiency savings through the industry by streamlining procurement and supply chain processes.

SAFE CONTRACTOR APPROVED —

The Safe Contractor scheme provides a health and safety audit service for contractors who want to reassure their clients that health and safety is being handled correctly and sufficiently on their sites.

FSB —

As a member of FSB, we benefit from business advice, financial expertise, support and a powerful voice in government. The FSB mission is to help smaller businesses achieve their ambitions.



WARRANTY & INSURANCE

1. Infinity Seating Solutions Limited (**we**) are proud of the products we produce. Our products are manufactured to high standards of excellence, dependability and design integrity. We warrant to our customers (you) that the individual products listed in paragraph 2 below (the Products) will be sold to you free from defects corresponding to the descriptions set out in paragraph 2 below and will, from the delivery date of the Products, remain free from said defects for the corresponding time periods itemised in paragraph 2 below (the **Warranty Period**). We confirm that if any such corresponding defect in the Products is notified by you to us in writing within the Warranty Period and within 30 days from the date that the defect was discovered or ought reasonably to have been discovered by you and said defect is duly found by us to have existed in the Products during the Warranty Period the defect will (subject to the requirements of paragraphs 3 and 4) qualify as a defect (a **Qualifying Defect**) and we will either replace or repair the defective Products, in accordance with the requirements of paragraph 2. You acknowledge and agree that we will be the sole arbiter of the existence of all and any Qualifying Defects in all and any of the Products.
2. **PRODUCTS**
 - (a) **Upholstery and Fabrics**

Upholstery and Fabrics come with our standard 5 year warranty against defects in materials and workmanship occurring during normal usage of the Products. Where we receive written notice of a Qualifying Defect within the Warranty Period, we will take the following action:

 - (i) where we receive written notice of a Qualifying Defect within 2 years after the date of delivery of the Products to you (the **Delivery Date**) we will, at our sole election, either repair or replace the defective upholstery or fabric without charge to you but the cost of installation of the replacement upholstery or fabric shall be entirely borne by you.
 - (ii) where we receive written notice of a Qualifying Defect more than 2 years but less than 5 years after the Delivery Date, we will replace the defective upholstery or fabric without charge to you, but the cost of installation of the replacement upholstery or fabric shall be entirely borne by you.
 - (b) **Mechanical Components**

Mechanical Components come with a 3 year warranty against defects in materials and workmanship occurring during normal usage of the Products. A 3 year warranty will be extended to 5 years (an Extended Warranty) where you purchase a Service Package from us. Where we receive written notice of a Qualifying Defect within the Warranty Period, we will take the following action:

 - (i) where we receive written notice of a Qualifying Defect within 3 years after the Delivery Date we will, at our sole election, either repair or replace the defective mechanical component without charge to you but the cost of installation of the replacement mechanical component shall be entirely borne by you.
 - (ii) where you have the benefit of an Extended Warranty and we receive written notice of a Qualifying Defect more than 3 years but less than 5 years after the Delivery Date, we will replace the defective mechanical component without charge to you, but the cost of installation of the replacement mechanical component shall be entirely borne by you.
 - (c) **Electrical Components**

Electrical Components come with a 1 year warranty against defects in materials and workmanship occurring during normal usage of the Products. A 1 year warranty will be extended to 5 years (an Extended Warranty) where you purchase a Service Package from us. Where we receive written notice of a Qualifying Defect within the Warranty Period, we will take the following action:

 - (i) where we receive written notice of a Qualifying Defect within 1 year after the Delivery Date we will, at our sole election, either repair or replace the defective electrical component without charge to you but the cost of installation of the replacement electrical component shall be entirely borne by you.
 - (ii) where you have the benefit of an Extended Warranty and we receive written notice of a Qualifying Defect more than 1 year but less than 5 years after the Delivery Date, we will replace the defective electrical component without charge to you, but the cost of installation of the replacement electrical component shall be entirely borne by you.
3. **This Warranty shall not cover any:**
 - (a) defect or damage caused by any abuse or misuse of the Products. We will be the sole arbiter of what constitutes abuse or misuse but this will include, without limitation, any use of a Product for any purpose other than its intended purpose;
 - (b) accidental or deliberate damage to the Products (including accidental damage caused by a third party during shipping), or damage to the Products caused by vandalism;
 - (c) defect or damage arising from any neglect of the Products. We will be the sole arbiter of what constitutes neglect, but neglect will usually be taken to include (but not be limited to) any non-compliance with our installation, usage and / or care instructions;
 - (d) fair wear and tear, including changes in colour or texture arising from fair wear and tear. We will be the sole arbiter of what constitutes fair wear and tear;
 - (e) variations in leather, wood, stone or other natural materials;
 - (f) defect in or damage to the Products caused by corrosives, fire, flood, or other injurious substances or external forces;
 - (g) defect in or damage to any textiles or components manufactured by others (in which case said manufacturers' warranties, if any, shall form part of the Product file); or
 - (h) defect in or damage to any of your own material which has been used in the manufacture of the Products.
4. **This Warranty shall not apply where:**
 - (a) you make any further use of any of the Products after becoming aware of any defect therein;
 - (b) you alter, modify or repair the Products without our prior written consent;
 - (c) the defect is attributable to any drawing, design, pattern, sample, or other materials, information or specification supplied by you; or
 - (d) the risk in, control of, or title to the Products passes to (or is reasonably deemed by us to have passed to) any third party, or the Products are resold by you to a third party;
 - (e) payment has not been received in full, inclusive of all extra charges applicable to the completion of the project.
5. Our entire liability for any defective products under this warranty shall in no event exceed their purchase price. We shall in no event be held liable, whether on the basis of contract or tort (including, but not limited to, negligence) or under any other legal theory (including, but not limited to strict liability and/or equitable theory), for lost profits or revenues, loss of use or similar economic losses, or for indirect, special, incidental, consequential or punitive loss or damage whatsoever and howsoever arising, even if we have been notified of the possibility of such loss or damage.
6. Subject to any warranties granted in respect of the products in our conditions of supply, this warranty shall constitute the sole and exclusive warranty with regard to the products and replaces all and any other warranties whether oral or in writing, of any kind concerning the products. The remedies of repair or replacement provided in paragraph 2 above constitute our sole obligation and your sole remedy under this warranty.

24th May 2021

To Whom It May Concern

Euro (Seating) Group UK Limited & Infinity Seating Solutions Limited

Our Reference: 45567179

We can confirm that we act as insurance brokers on behalf of the above insured, and that the following covers are in place:

Employers Liability

Insurer:	Convex Insurance UK Limited Via Citynet Insurance Brokers Ltd
Policy number:	LI6E7MRFH900
Cover period:	15 th May 2021 to 14 th May 2022
Indemnity limit:	£10,000,000

Public Liability

Insurer:	Convex Insurance UK Limited Via Citynet Insurance Brokers Ltd
Policy number:	LI6E7MRFH900
Cover period:	15 th May 2021 to 14 th May 2022
Indemnity limit:	£10,000,000

Products Liability

Insurer:	Convex Insurance UK Limited Via Citynet Insurance Brokers Ltd
Policy number:	LI6E7MRFH900
Cover period:	15 th May 2021 to 14 th May 2022
Indemnity limit:	£10,000,000

ENVIRONMENTAL CREDENTIALS

SUSTAINABLE OPTIONS

If you have chosen the concept here, you can apply the 'Green Treatment' to any one of our products. You don't necessarily have to have a fabric made from 'Cork' either, as many of our standard faux leathers and velours - whilst made from the bi-products of the petroleum industry - can be recycled.

We cannot promise that you'll find the right recycling facilities in your region but that is an ongoing mission for society to continually improve upon - we at least afford the opportunity for it to happen.

FABRIC

A combination of the highest quality components in their field. We have used a collaboration of Cork fabric and Ultra Leather to provide a unique stand-out look. Both suppliers have a great history of supplying fabrics worldwide and it is a pleasure that we have found a way to use both together in this environmentally friendly Sustainability Project.



PURETREE CORK FABRIC

Flexible, colourful, and completely plant-based and cruelty-free, cork fabric is an eco-friendly sustainable alternative to leather and other commonly used fabrics. Harnessing the unique properties of cork, cork fabric – or cork leather as it is sometimes known – retains the natural beauty and tactile quality of raw cork while providing a durable surface suitable for both domestic and commercial applications.

ULTRA FABRICS

Ultraleather truly defines performance fabrics. There is a reason it sits comfortably atop the A-list across industries. Intelligent materials, meticulously designed with ultimate softness and durability, we created Ultraleather with the goal of changing expectations for what a performance fabric can be, do and feel like. We wanted to redefine the experience of leather. So, we elevated it: classic aesthetics, authentic softness, and always, naturally, animal-cruelty free. The result is a polyurethane portfolio that combines future-forward thinking with premium quality and timeless colour palettes.

FOAMS

The foams and cushioning utilised within our Sustainability Project are a mixture of densities in different areas of the seating. We have been able to incorporate recycled foams alongside Latex foams which produce the most breathable and comforting factors. Using Latex is not only a healthier and more hygienic bacteria resistant option. It also holds a natural fire retardancy due to the graphite within Latex which is a naturally flame retardant material conforming to Schedule 1, Part 1: The Furniture and Furnishings (Fire) (Safety) Regulation 1988 (amended 1989, 1993).

FRAMES

We had many different discussions and trials on what materials would work best when producing our first off design. We concluded that using EkoPly which is made up from recycled plastics would be the best solution.

EkoPly is a rot proof, sustainable, eco-friendly, and cost-effective alternative to non-renewable or prohibitive harvest time materials such as hardwood timber and plywood. With numerous application possibilities, it handles very similarly to timber yet requires little or no maintenance and is significantly longer lasting.

EXTRAS

For the extras on this concept design we wanted to keep things at a minimum and not take away from the main achievement of producing a sustainable seating product.

We opted for a show-piece back strip made from cork tree bark.

Virgin decorative cork tree bark tiles is the answer to fashion and trend for pursuing the most natural, ecological, and environmentally friendly and, at the same time, unusual finishing materials. Natural and solid cork panels from raw cork oak are an original, designer and 100% natural and ecological product. Untainted, solid cork bark flats have been glued on a flat panel of agglomerated cork.

We have previously used Bamboo for Inset-Tables and Console units on bespoke projects, so if required we would be happy to incorporate this into a design specification. Bamboo has a harvest time of only 5 years compared to 50+ for many other popular hardwoods, making it truly sustainable.



This Bamboo Console unit is made from solid Bamboo that has been lacquered in a Walnut finish. You can of course have any colour you choose or use a clear lacquer and let the beauty of the natural product show through.

Crucially, no animals were harmed in the making of these products. Materials used can go on to be recycled and those that cannot are biodegradable.

SERVICE PACKAGES



MAINTENANCE PLAN INCLUDES

- Three monthly service visit
- Check full operation of the chair
- Check integrity of all mechanical and electrical parts
- Check, tighten or replace fixings where necessary
- Check/ adjust footrest alignment
- Check alignments of mechanism
- Apply white lithium grease to bearings, runner & pivot points
- Check protective shroud is present and undamaged
- Check for torn or damaged upholstery
- Check overload protection, report any that are out of acceptable range